

# COMPACT 912



## System

- CPU	Intel® 7th & 6th Gen Core™ i processor (LGA1151) i7-6700TE/i5-6500TE/Pentium 4400TE
- Chipset	Intel Q170
- Memory type	Dual Channel DDR4 2133MHz SDRAM MAX 32GB
- Ethernet	GbE LAN1: Intel i219LM; LAN2: Intel i211AT

## I/O

- Serial ports	1 x RS232, 1 x RS232/422/485
- USB ports	4 USB 3.0 + 2 USB 2.0 (optional)
- Audio	3 (Mic-in, Line-out, Line-in)
- Video input	1 VGA - 1 HDMI - 1 DP
- Ethernet	2 x RJ45
- Power connection	1 x 4 pin DC terminal block 1 x 2 pin remote power switch 2 x LED light for power and HDD indication

## Storage Space

- HDD	2 x 2,5" SATA3 (Support RAID 0,1) easily accessible design
- Mini-PCIe	1 x mSATA slot (full-size)
- M2	B key for SSD and 3G supported (type: 2242 ,2280mm)

## Expansion Slot

-Mini-PCIe	1, F/S Mini-PCIe slot (with mSATA supported)
-PCIe	2 PCIe 8X or 3 PCI (optional)

## Environment

Operating temperature	0 __ 50 °C
Storage temperature	-30 __ 70 °C
Storage humidity	10 to 90% @ 40 °C - non condensing
Certification	CE

## Display

- Display type	12.1" TFT-LCD
- Max. resolution	800 x 600 / 1024 x 768
- Max. color	16,7 M
- Luminance (cd/m2)	400
- View angle (H°/V°)	85 __ 85 (H) 85 __ 85 (V)
- Contrast	1500 : 1

## Touch Screen

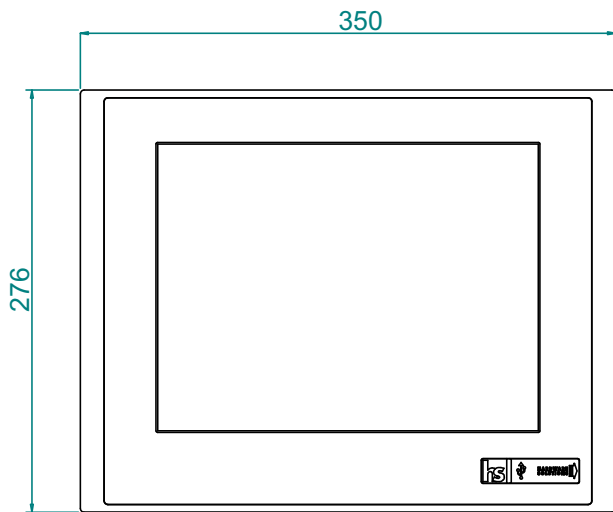
- Type	resistive
- Interface	USB
- Light transmission	resistive: 80%

## Mechanical

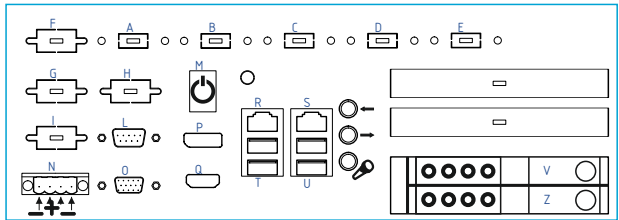
- Construction	Aluminum front bezel optional INOX 316
- IP Rating	Front bezel IP66
- Mounting	Panel mounting
- Dimension (mm)	350 x 276 x 136
- Net weight	-

## Supported Operating System

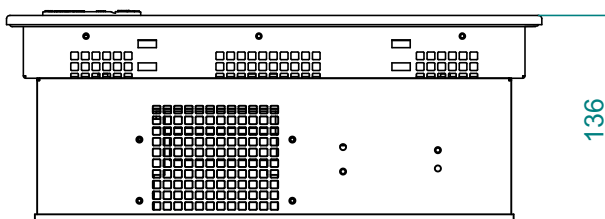
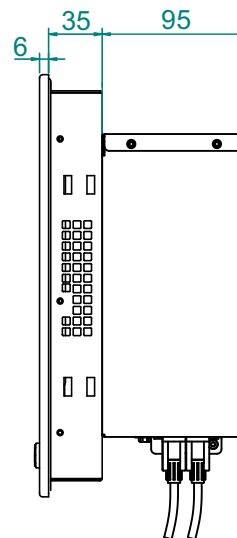
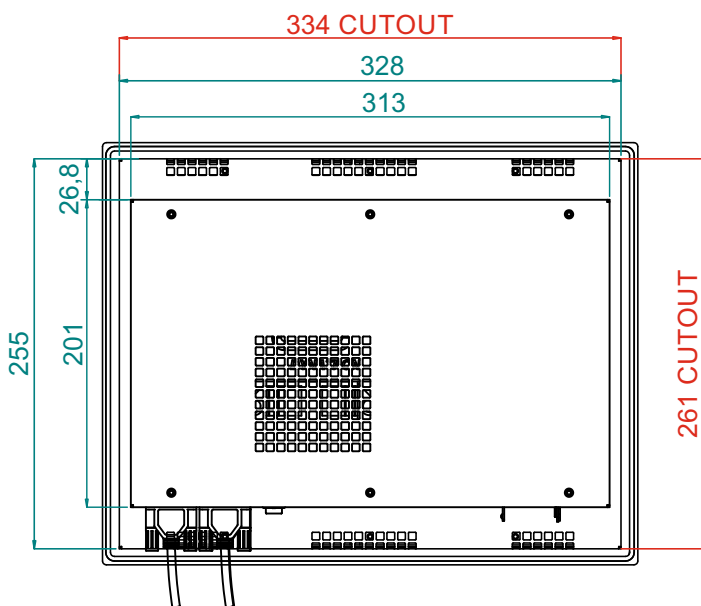
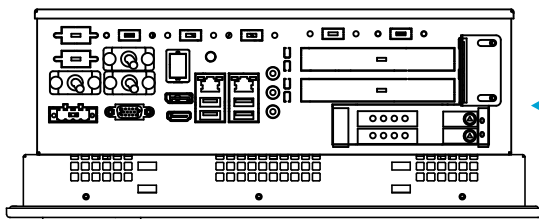
- Windows 7 Professional (32/64bit)
- Windows 7 Ultimate (32/64bit)
- Windows 7 Embedded (32/64bit)
- Windows 10 IoT Enterprise (32/64bit)
- Linux



## Legenda



- A/B/C/D/E: USB 2.0
- F: COM 1
- G: COM 2
- H: COM 3
- I: COM 4
- L: COM 5
- M: POWER BUTTON
- N: DC INPUT 12-24V
- O: VGA
- P: DP1++
- Q: HDMI
- R: ETH 1
- S: ETH 2
- T: USB 3.0 1-2
- U: USB 3.0 3-4
- V: HD 1
- Z: HD 2



unit: mm

